

	Flame Arrester 933-S100.3 to 200.3/4x0,4/D4IIB3P2T1 Instructions for Operating and Maintenance	B4-IOM-XXXX
		REV 1.0
		Page 1/7

This Instruction for Operating and Maintenance is applicable for the following flame arrester models of the type series 3:

Table Type description

Nominal width	Type	EC-Type Examination Certificate Number
DN100 / 4"	933-S100.3/4x0,4/D4IIB3P2T1	IBExU14ATEX2062 X
DN125 / 5"	933-S125.3/4x0,4-d/D4IIB3P2T1	
DN150 / 6"	933-S150.3/4x0,4-d/D4IIB3P2T1	
DN200 / 8"	933-S200.3/4x0,4/D4IIB3P2T1	

The data sheet with dimensions and the pressure drop/volume flow rate diagram are available.

1. Use

The said models of the type series 3 with flange joint of nominal widths DN100 to DN200 meet the requirements of the European Guideline 2014/34/EU and the harmonised standard for flame arresters EN ISO 16852:2016 as autonomous protection systems for intended use in potentially explosive atmospheres.

Its general suitability as an **in-line stable detonation flame arrester** for use in inflammable gas/air mixtures and vapour/air mixtures of inflammable liquids of explosion group IIB3 (standard gap width $\geq 0,65$ mm) was proved in a test at the Institut für Sicherheitstechnik GmbH IBExU Freiberg as EUROPEAN NOTIFIED BODY no. 0637 according to Article 9 of the Guideline 2014/34/EU. Always use it within the purview of the entire safety concept of the corresponding system and combine additional explosion safety measures, if required.

For preventing a flame transmission, these in-line detonation flame arresters can be used in atmospheric conditions [pressure: 0,8 bar (absolute) to 1,1 bar (absolute), temperature: -20°C to +60°C] for protection against stable detonations, deflagrations and short time burning on the flame arrester element for explosive vapour/gas-air mixtures of the explosion group IIB3.

Furthermore, the limit values according to Table 1 for the maximum permissible operating pressure p_0 considering the maximum permissible operating temperature T_0 must be adhered to:

Table 1: Limits for the operating status

Nominal width	p_0 MPa (absolute)	T_0 °C
DN100 / 4" DN125 / 5" DN150 / 6" DN200 / 8"	0,12	60

The flame arrester can be equipped in the case of stabilized burning on the flame arrester element with one or more integrated temperature sensors (resistance thermometers) on both the sides.

A stabilized burning on the flame arrester element must be stopped by installing an integrated temperature sensor (resistance thermometer) at the unprotected side of the flame arrester in connection with an automatic triggering of emergency functions (interruption or inertisation of the mixture flow) when the operation temperature of ≥ 20 K is exceeded.

The maximum permissible burning duration t_{BT} for short time burning at the flame arrester is 1 min.

Created By:		Date: 01.01.14	BS&B FlameSAF Limited, Limerick, Ireland
Approved By:	D. Hennessy	Date: 01.01.14	

	Flame Arrester 933-S100.3 to 200.3/4x0,4/D4IIB3P2T1 Instructions for Operating and Maintenance	B4-IOM-XXXX
		REV 1.0
		Page 2/7

With the delivery of the flame arrester, the technical parameters are documented along with the EC-Type Examination Certificate Number in the factory test certificate.

The Essential Health and Safety Requirements in accordance with the European Guideline 2014/34/EU are assured by compliance with the harmonized standards specified in the Declaration of Compliance.

2. Construction

The flame arrester comprises two covers (1) and (2), between the flame arrester element (3) is clamped, there are O-ring seals (4) for external sealing and connecting elements hexagonal screw/threaded bolt (5) and hexagonal nut (6) with protection cap (7).

The flame arrester's (3) grid cage (8) has four metal foil elements (9), (10) with varying winding direction: (9) - turned right, (10) - turned left.

The metal foil elements are made of one crimped and one flat ribbon of 10 mm width and 0,15 mm thickness. The ribbons are rolled along each other in compact layers and build a triangular channel in the centre with a maximum height of 0,4 mm.

The metal foil elements are kept apart with clip (11) and spacer (12) and are fastened axially with the stars (13) and (30) using the screw (14). The screw (14) is secured against loosening with the help of safety washer (15) and adhesive on the thread.

Using two lifting eyes (17), lifted through hexagonal screws/threaded bolts (5), the flame arrester element (3) is positioned between the covers (1) and (2).

On the inner sides of the cover flanges some hexagonal screws/threaded bolts have additional nuts (6) and washers (18) which enable an axial constricting for dismantling the flame arrester element (3).

Two threaded holes on the cover (1) are sealed with screw plug (19) and accompanying sealing ring (20). The screw plug on the bottom serves as condensation outlet; the screw plug on the upper flange is replaced on site along with the sealing by a resistance thermometer (21).

In case of use of resistance thermometer, two covers (1) are used on both the sides of the flame arrester.

On customer's demand there will be threaded holes M10x1 for pressure measuring on the inlet and outlet flange which are closed by screw plug (22) and sealing ring (23).

3. Marking

The information with which the flame arrester system is identified is mentioned on the type label (Item 25) and warning sign (Item 26). The following details are provided:

TYPE LABEL

- name and address of the manufacturer
- type identification according to "Table Type description"
- number of the certificate (EC-Type Examination Certificate Number) according to "Table Type description"
- factory number with year of manufacture
- the international standard for flame arresters: "ISO 16852"
- the special mark for prevention of explosions and alphabet 'G' (for areas that have explosive gas, vapour, air-mixtures)
- explosion group IIB3
- CE mark with number of the indicated inspection office for production monitoring phase: „0589“

WARNING SIGN

Created By:		Date: 01.01.14	BS&B FlameSAF Limited, Limerick, Ireland
Approved By:	D. Hennessy	Date: 01.01.14	

	Flame Arrester 933-S100.3 to 200.3/4x0,4/D4IIB3P2T1 Instructions for Operating and Maintenance	B4-IOM-XXXX
		REV 1.0
		Page 3/7

- the word "Warning" with the note "Flame arresters have installation and application limits. Type design in accordance with ISO 16852
- the mark "DET 4" means: tested for stable detonation without restriction
- the mark 'BC' for stabilized burning plus the classification 'b' for short time burn or 'c' for no burn time; if 'b' has been specified, then there will be an additional mention of the burning duration $t_{BT} = 1 \text{ min}$
- the explosion group IIB3
- the maximum operating temperature $T_0 = 60^\circ\text{C}$
- the maximum operating pressure $p_0 = 0,12 \text{ MPa}$

The flame arrester has an easily visible stamp on the grid cage (8):

- DN100, DN200: "-4x0,4"
- DN125, DN150: "-4x0,4-d"

The metal foil element is labelled on the external ribbon as:

- short name of the manufacturer
- gap width
- material number
- direction of winding

Example: "-0,4-1.4571-R"

The parts tested for leak proofness and strength are indicated through a stamp.

The saved side is marked by a red sticker.

Option: If the flame arrester has a resistance thermometer, the cover (1) has an adhesive label (27) with warning notice for short time burning.

4. Installation

The positioning and installation of the flame arrester in the plant must take place under the purview of the directives applicable at the place of use; it is particularly imperative to follow the accident prevention directives of the area of installation.

The flange covers must be removed before installing in the pipeline.


The criteria mentioned in the EC-Type Examination Certificate under Point [17] - Special conditions for safe use - related to the installation must be adhered to. It is especially important to check the use of resistance thermometer for signalling stabilized burning at the flame arrester.

The following assembly instructions must be observed:

- The flame arrester must be installed only on those pipelines, whose pipe diameter
 - on the unprotected side shall be no greater than the flame arrester connection
 - on the protected side shall be no less than the pipe diameter on the unprotected side
- If a continuous burning at the flame arrester cannot be ruled out, at least one resistance thermometer must be installed at the source of ignition side. The mark (red point) on the cover (2) indicates the connection side to be connected with the system component to be protected against flame transmission. If continuous burning is expected on both sides of the flame arrester, one temperature sensor must be installed at both sides.

The flame arresters are fundamentally equipped with connecting flanges according to ISO 7005-1 (steel flanges) in the pressure level PN10, PN16 or PN20. The pressure level PN20 is compatible with the American flange class 150 according to ANSI B16.5. If required, the flange connections can also be delivered in accordance with the Japanese industrial standard JIS B 2220.

Created By:		Date: 01.01.14	BS&B FlameSAF Limited, Limerick, Ireland
Approved By:	D. Hennessy	Date: 01.01.14	

	Flame Arrester 933-S100.3 to 200.3/4x0,4/D4IIB3P2T1 Instructions for Operating and Maintenance	B4-IOM-XXXX
		REV 1.0
		Page 4/7

Flat seals with sealing rated value of $k_0K_D \leq 25b_D$ are recommended for the flange connections. While installing flanges, it must be ensured that the seal faces are not damaged and there are no foreign bodies or dust between the flanges so that there are no gaps. The system should be checked thoroughly for proper sealing before commissioning it. The test pressures of the flame arrester specified in the test certificate must not be exceeded.

Vertical as well as horizontal installation on the system is permissible.

The flame arrester must not be a bed for the pipe and should be installed with low-stress.

For dismantling of the flame arrester element (3) and the resistance thermometer (21) assembly clearance is necessary with at least the measurements given in Table 2 (see Spare part drawing).

Table 2: Dismantling dimensions D and E and weight of the stainless steel flame arrester element (3)

DN		100	125	150	200
D	mm	560	600	670	730
E	mm	670	790	970	1120
Weight	kg	33	53	86	119

The assembly of the resistance thermometer delivered separately from the flame arrester must take place by replacing the screw plug in the corresponding threaded hole of the cover flange with corresponding sealing. The screwing must be secured against accidental loosening in the thread with adhesive "Loctite 221".

The assembly guidelines of the resistance thermometer's manufacturer and the conditions for ensuring the conformity must be adhered to while connecting the temperature sensor to the measurement system. The switching between resistance thermometer and the device for stopping mixture flow or a similar measure (triggering emergency function) must take place in such a way that within 30 sec after the identification of the flame by the resistance thermometer, the risk status is recognised.

5. Maintenance

The maintenance includes a periodic visual inspection of the flame arrester, in particular the metal foil elements, with respect to contamination and consistency and a periodic functions check of the resistance thermometer. The time intervals for maintenance works depend on the operating conditions and contaminating level of the individual media and must be decided by the operator.

For cleaning works the flame arrester element has to be taken out of the plant. Therefore, the weights according to Table 2 shall be taken into consideration. Check the status of the sealing (4) after the disassembly.

In case of negligible contamination the flame arrester element (3) shall be blown up with compressed air or hot steam against the operating flow.


If the contamination level is high or there are sticky impurity to the surface of the metal foil element, rinsing with a cleaning agent may also be considered. However, all parts covered in the cleaning agent must then been blown dry.

Ensure that no mechanical modifications are made to the metal foil elements and housing parts of the flame arrester during the cleaning works. Check that screw (14) is secured and fastened properly (Table 3).

Table 3: Fastening torque of the screw (14)

DN	100	125	150	200
----	-----	-----	-----	-----

Created By:		Date: 01.01.14	BS&B FlameSAF Limited, Limerick, Ireland
Approved By:	D. Hennessy	Date: 01.01.14	

	Flame Arrester 933-S100.3 to 200.3/4x0,4/D4IIB3P2T1 Instructions for Operating and Maintenance	B4-IOM-XXXX
		REV 1.0
		Page 5/7

Torque	Nm	100	250	400	
---------------	-----------	-----	-----	-----	--

Explosions along with stabilized burning at the flame arrester element lead to considerable mechanical and thermal stress. If changes in the foil element structure are visible during a fire on the flame arrester element or the coils have unwound, the flame arrester element must be replaced.

The flame arrester element must be replaced by a new one if

- there was a fire on the flame arrester element
- slackening or slipping in the structure of the metal foil elements is visible
- there are visible damages on the metal foil elements from corrosion
- a visible residual contamination of more than 30% of the free flow area has remained despite cleaning a very dirty metal foil element

All works in connection with the cleaning and replacement of flame arrester element shall be executed only by trained and authorized skilled personnel.

Check the functionality of the resistance thermometer after a fire on the flame arrester.

While replacing the sealing (4), ensure that they are lightly lubricated with conventional silicon grease (order no. 00 027 079); they must be protected from damage during the assembly.

The hexagonal screws/threaded bolts (5) are also lightly greased with silicon grease around the threads and fastened with the torque specified in Table 4.

Table 4: Fastening torque of the screw joint (5), (6)

DN		100	125	150	200	
Torque	Nm	70	80	180	230	

Caution: For “silicone and grease free flame arresters” all seals, threaded bolts and nuts are generally assembled without using silicone or grease.

Check the external sealing of all pressurised flange and threaded joints.


It is recommended to keep one suitable spare flame arrester element (3) for every flame arrester in use.

While replacing components, use only the -original-spare parts listed in the Spare parts list to ensure safety.

6. Spare parts list

Table 5: Spare parts

Created By:		Date: 01.01.14	BS&B FlameSAF Limited, Limerick, Ireland
Approved By:	D. Hennessy	Date: 01.01.14	

	Flame Arrester 933-S100.3 to 200.3/4x0,4/D4IIB3P2T1 Instructions for Operating and Maintenance	B4-IOM-XXXX
		REV 1.0
		Page 6/7

Item No.	Designation	No.	Material	Order-No.			
				DN100	DN125	DN150	DN200
3*	Flame arr. element 4x0,4 Flame arr. element 4x0,4-N Flame arr. element 4x0,4-VF Flame arr. element 4x0,4-d Flame arr. element 4x0,4-d-N Flame arr. element 4x0,4-d-VF	1	NSt	FET15531490 FET15531490N FET15531490VF	FET15534150 FET1553415N FET1553415VF	FET15537150 FET15537150N FET15537150VF	FET15540845 FET15540845N FET15540845VF
4*	O-ring	2	FPM NBR FEP	802071600 802070800 802073200	802075700 802074000 802077300	802091700 802084500 802093300	782072100 782071300 802046800
5	Hexagonal screw	10	St NSt	242030223 242030323	242030823 242030923	222051123 222120723	222051123 222120723
		14	St NSt				
	Threaded bolt	10	St NSt				
		14	St NSt				
6	Hexagonal nut	18	St NSt	201472339 200124523	201472339 200124523	201521839 201542723	201521839 201542723
		22	St NSt				
		36	St NSt				
7	Protection cap	10	K	722037100	722037100	722044300	722044300
		14					
		20					
		28					
18	Washer	8	St NSt	305560100 310028800		302034300 302049700	
19	Screw plug	2	St NSt		215031200 212097500		
20*	Gasket ring	2	LM PTFE		504650200 532036000		
21*	Ex(i)-thermometer 3-wire 4-wire 3-wire + transmitter	1	NSt	672018120 672019823 672020423		662037020 662068423 662071523	
22	Screw plug	2	St NSt		215130500 212025100		
23*	Gasket ring	2	LM PTFE		504580700 532037700		

Note: Parts marked with * shall be available for maintenance works.

Material marks

St ... Steel	K ... Plastics	FPM ... Vitone
NSt ... Stainless steel	PTFE ... fluoroplastics	NBR ... Perbunan (N)
LM ... Light alloy	FEP ... fluoroplastics (VF)	

Created By:		Date: 01.01.14	BS&B FlameSAF Limited, Limerick, Ireland
Approved By:	D. Hennessy	Date: 01.01.14	



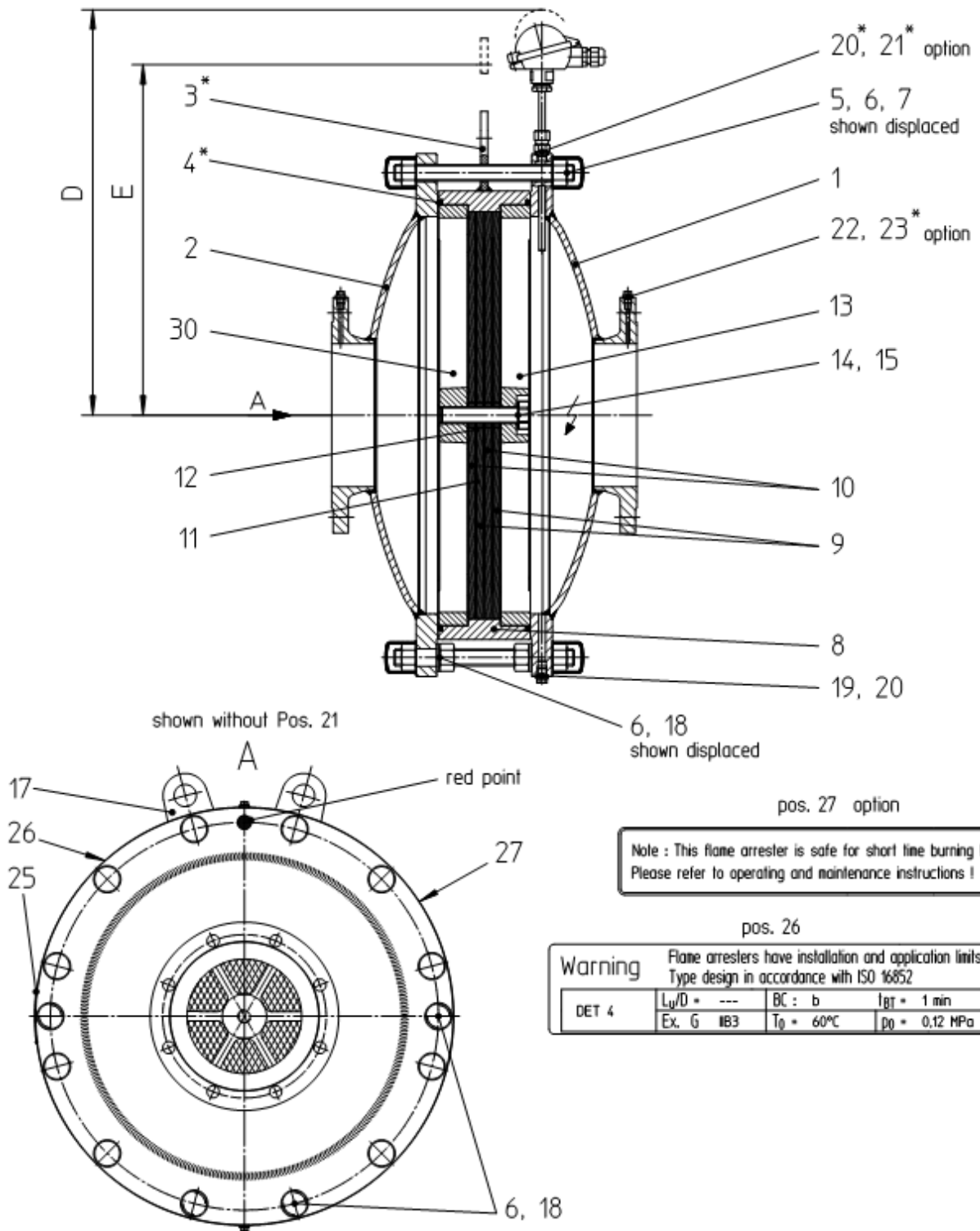
Flame Arrester
933-S100.3 to 200.3/4x0,4/D4IB3P2T1
Instructions for Operating and Maintenance

B4-IOM-XXXX

REV 1.0

Page 7/7

Spare part drawing DN200



Note: Parts marked with * shall be available for maintenance works.
 Dimensions D and E are dismantling dimensions.

Created By:		Date: 01.01.14	BS&B FlameSAF Limited, Limerick, Ireland
Approved By:	D. Hennessy	Date: 01.01.14	